

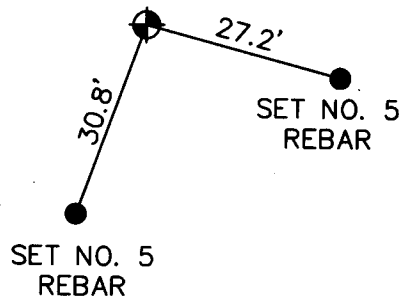
State of Wyoming Corner Record

(In compliance with the *CORNER PERPETUATION AND FILING ACT*, Wyoming Statutes, 1997 Section 33-29-140 et. seq., and the Rules and Regulations of the Board of Professional Engineers and Professional Land Surveyors)

Reverse side of this form may be used if more space is needed.

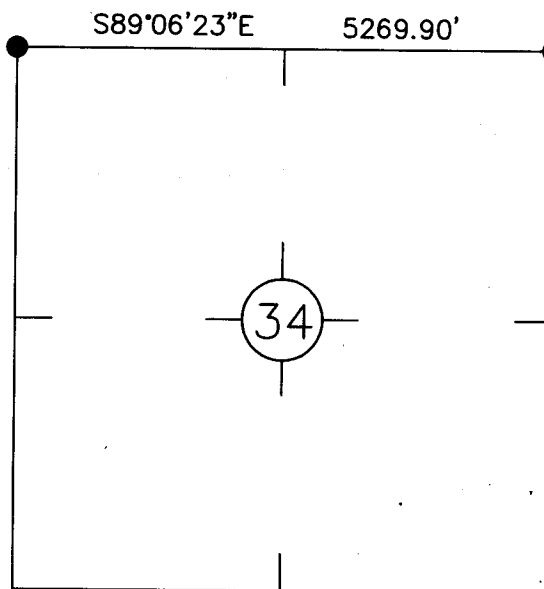
Record of original survey and citation of source of historical information (if corner is lost or obliterated). Description of corner monumentation evidence found and/or monument and accessories established to perpetuate the location of this corner. Sketch of relative location of monument, accessories, and reference points with course and distance to adjacent corner(s) (if determined in this survey). Method and rationale for reestablishment of lost or obliterated corner.

FOUND: FOUND 14X10X10 STONE



Monument location

FOUND 14X10X10 STONE



FOUND 18X8X8 STONE



N.T.S.



RECORDED 8/25/2010 AT 1:13 PM REC# 551467 BK# 2179 PG# 1539
DEBRA K. LATHROP, CLERK OF LARAMIE COUNTY, WY PAGE 1 OF 1

Date of Field Work: 2-6-10

Office Reference: 501-10-010

Cross Index Plat

| | | | | | | | | | | | | | | | | | | | | | | | | | | |
|---|---|----|---|---|----|---|---|---|----|----|----|----|----|----|----|----|----|----|----|----|----|----|----|----|----|---|
| | 1 | 2 | 3 | 4 | 5 | 6 | 7 | 8 | 9 | 10 | 11 | 12 | 13 | 14 | 15 | 16 | 17 | 18 | 19 | 20 | 21 | 22 | 23 | 24 | 25 | |
| A | + | + | + | + | + | + | + | + | + | + | + | + | + | + | + | + | + | + | + | + | + | + | + | + | + | A |
| B | + | + | + | + | + | + | + | + | + | + | + | + | + | + | + | + | + | + | + | + | + | + | + | + | + | B |
| C | + | 6 | + | + | 5 | + | + | + | 4 | + | + | + | 3 | + | + | + | 2 | + | + | 1 | + | + | + | + | + | C |
| D | + | + | + | + | + | + | + | + | + | + | + | + | + | + | + | + | + | + | + | + | + | + | + | + | + | D |
| E | + | + | + | + | + | + | + | + | + | + | + | + | + | + | + | + | + | + | + | + | + | + | + | + | + | E |
| F | + | + | + | + | + | + | + | + | + | + | + | + | + | + | + | + | + | + | + | + | + | + | + | + | + | F |
| G | + | 7 | + | + | 8 | + | + | + | 9 | + | + | + | 10 | + | + | + | 11 | + | + | 12 | + | + | + | + | + | G |
| H | + | + | + | + | + | + | + | + | + | + | + | + | + | + | + | + | + | + | + | + | + | + | + | + | + | H |
| J | + | + | + | + | + | + | + | + | + | + | + | + | + | + | + | + | + | + | + | + | + | + | + | + | + | J |
| K | + | + | + | + | + | + | + | + | + | + | + | + | + | + | + | + | + | + | + | + | + | + | + | + | + | K |
| L | + | 18 | + | + | 17 | + | + | + | 16 | + | + | + | 15 | + | + | + | 14 | + | + | 13 | + | + | + | + | + | L |
| M | + | + | + | + | + | + | + | + | + | + | + | + | + | + | + | + | + | + | + | + | + | + | + | + | + | M |
| N | + | + | + | + | + | + | + | + | + | + | + | + | + | + | + | + | + | + | + | + | + | + | + | + | + | N |
| O | + | + | + | + | + | + | + | + | + | + | + | + | + | + | + | + | + | + | + | + | + | + | + | + | + | O |
| P | + | 19 | + | + | 20 | + | + | + | 21 | + | + | + | 22 | + | + | + | 23 | + | + | 24 | + | + | + | + | + | P |
| Q | + | + | + | + | + | + | + | + | + | + | + | + | + | + | + | + | + | + | + | + | + | + | + | + | + | Q |
| R | + | + | + | + | + | + | + | + | + | + | + | + | + | + | + | + | + | + | + | + | + | + | + | + | + | R |
| S | + | + | + | + | + | + | + | + | + | + | + | + | + | + | + | + | + | + | + | + | + | + | + | + | + | S |
| T | + | 30 | + | + | 29 | + | + | + | 28 | + | + | + | 27 | + | + | + | 26 | + | + | 25 | + | + | + | + | + | T |
| U | + | + | + | + | + | + | + | + | + | + | + | + | + | + | + | + | + | + | + | + | + | + | + | + | + | U |
| V | + | + | + | + | + | + | + | + | + | + | + | + | + | + | + | + | + | + | + | + | + | + | + | + | + | V |
| W | + | + | + | + | + | + | + | + | + | + | + | + | + | + | + | + | + | + | + | + | + | + | + | + | + | W |
| X | + | 31 | + | + | 32 | + | + | + | 33 | + | + | + | 34 | + | + | + | 35 | + | + | 36 | + | + | + | + | + | X |
| Y | + | + | + | + | + | + | + | + | + | + | + | + | + | + | + | + | + | + | + | + | + | + | + | + | + | Y |
| Z | + | + | + | + | + | + | + | + | + | + | + | + | + | + | + | + | + | + | + | + | + | + | + | + | + | Z |

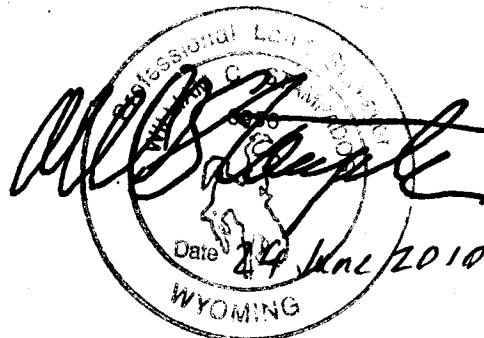
Firm/Agency, Address

ANTELOPE SURVEYING
4903 S. FOX STREET
ENGLEWOOD, CO. 80110

This corner record was prepared by me or under my direction and supervision.

SEAL & SIGNATURE

Telephone Number: 303-748-2181



Corner Name NW Corner Section 34, T 17 N, R 65 W, 6th P.M.

Cross-Index No.: V-13

County: LARAMIE Wyoming

SBRPEPLS/PLSW: March 1994; PLSW January 1998

NE SEC 34 T17N R65W